

FURUTECH

PURE TRANSMISSION

DFV-1 LP Flattener NEW 2007



DFV-1 FLATTENS PRECIOUS BUT WARPED LPs

Ultimate Performance • Ultimate Refinement • Ultimate Luxury

Every vinyl enthusiast has records in their collection, or come across LPs they'd love to own, but were just too warped for any cartridge/arm to track. The DFV-1 the one-stop, one-button solution to your problems! The DFV-1 provides controlled-heat perfect flattening for all your warped records, even those with only slight irregularities just enough to unsettle your cartridge and cause mistracking.

Warps And Listening

Warps are bad news no matter how you look at it. If the arm/cartridge remains parallel to the LP's surface as with a flat record, VTA (Vertical Tracking Angle) remains unchanged throughout every rotation. Additionally, as the arm/cartridge tracks a warp on its upside, it places greater pressure on the stylus which changes VTF (Vertical Tracking Force) until the peak of the warp, whereupon the cartridge becomes "unloaded" with too little VTF on the way down.

Of course, all this muddles the sound, changing the tonal quality, imaging and soundstage characteristics of the cartridge. A flat record also tracks better with less distortion.

The DFV-1 doesn't take up much room with its space-saving, vertical design. Improved film heating technology optimizes the entire heating and cooling cycle for a perfectly flat LP that your cartridge – and you – will love! Just unlock and open the DFV-1, place the LP on the spindle, close and tap a single button! An LCD keeps you informed of progress with a tone sounding when done.

"Furutech applies scientific methodologies, perfectly sane engineering and pretty fanatical execution to all of its products."

-- Srajan Ebaen, 6moons.com

Rating 115V±10% AC Line 2A fuse
European model 230V±10% AC Line 2A fuse
Energy Consumption 140W (max) 45W (Norm)
Heating plate max. temp. 65°C
Size: 425mm/17" W x 507mm/20" H x 170mm/7" D • Weight: 9kg/20lbs approx.

Safe Usage Environment:

Temperature 5°C - 35°C

Humidity 20% - 90% (No condensation)

Manufactured for Furutech by ORB High End Systems of Japan

Furutech Co., Ltd.

3F, 7-11-1 Nishi-Gotanda, Shinagawa-ku, Tokyo 141-0031, Japan

Tel +81-3-5437-0281

Fax +81-3-5437-8470

Contact: service@furutech.com

www.furutech.com

Visit www.furutech.com for more information on all their outstanding products.

MAKE A MORE POWERFUL CONNECTION WITH FURUTECH!



Caution

Please Do Not Operate This Product Until You Have Read And Fully Understand The Instructions

Disc Flattener DFV-1

Users Manual

Version 2007/4



Furutech Co., Ltd.

3F, 7-11-1 Nishi-Gotanda, Shinagawa-ku, Tokyo 141-0031, Japan

Tel +81-3-5437-0281

Fax +81-3-5437-8470

www.furutech.com

IMPORTANT SAFETY INSTRUCTIONS

WHEN USING YOUR DFV-1 BASIC PRECAUTIONS SHOULD ALWAYS BE FOLLOWED, INCLUDING THE FOLLOWING:

1. Read all instructions.
2. Operate DFV-1 for its intended purpose only.
3. To reduce the risk of electric shock do not immerse the unit in water or other liquids.
4. Never pull power cord to disconnect unit from wall outlet. Instead grasp plug and pull to disconnect.
5. Do not allow power cord to touch hot surfaces; let the DFV-1 cool completely before storing.
6. Do not operate unit with a damaged power cord, or if the unit has been dropped or damaged. To reduce the risk of electric shock do not disassemble or attempt to repair the DFV-1; take it to a qualified service technician for examination and repair. Incorrect reassembly or repair could cause a risk of fire, electric shock, or injury when the DFV-1 is used.
7. Close supervision is necessary for any electrical component used by or near children. Do not leave DFV-1 unattended while powered on.
8. Beware hot metal parts.
9. To reduce the likelihood of circuit overload, do not operate another high voltage appliance on the same circuit.

SAVE THESE INSTRUCTIONS

WARNING Misuse of electrical equipment displaying this mark may cause serious injury



CAUTION Misuse of electrical equipment displaying this mark may be deadly



CAUTION

- Do not place anything other than vinyl LPs in the DFV-1. Doing so may cause fire, electric shock or damage the product. If something other than a vinyl LP is placed in the DFV-1, unplug it and let the DFV-1 cool before removing it.
- It is not recommended that you treat your most valuable LP on the first try.
- Do not place foreign objects on the DFV-1
- Do not place foreign objects in any open gaps or openings of the DFV-1
- Do not replace any parts with those that have not been specified by the manufacturer.
- Do not allow the DFV-1 to be repaired by anyone but an approved service technician. Please contact your dealer for details.
- Before use, be sure the surrounding area is free of liquids, chemicals and heavy objects. Spilled liquids or chemicals may cause electrical shorts or fire.
- Remove the AC mains plug from the wall outlet if there is smoke, a burning odor, or if the DFV-1 is knocked over. Used in these conditions the DFV-1 may cause electrical shorts or fire.

Contents

 Package Contents	1
 Description	2
 Caution	3
 Usage	5-6
 Flattening Procedure Map	7-8
 Specifications	9

1. Package Contents

Disc Flattener V	x 1
Spindle Lock	x 1
Manual	x 1
Power cable	x 1
Caution sheet	x 1

2. DFV-1 Description

The DFV-1 Record Flattener takes up little room with its space-saving, vertical design. Improved film heating technology optimizes the entire process for a perfectly flat LP that your cartridge – and you – will love. Just unlock and open the DFV-1, place the LP on the spindle, close and tap a single button. An LCD keeps you informed of progress with a tone sounding when done. Right from the oven to your platter!

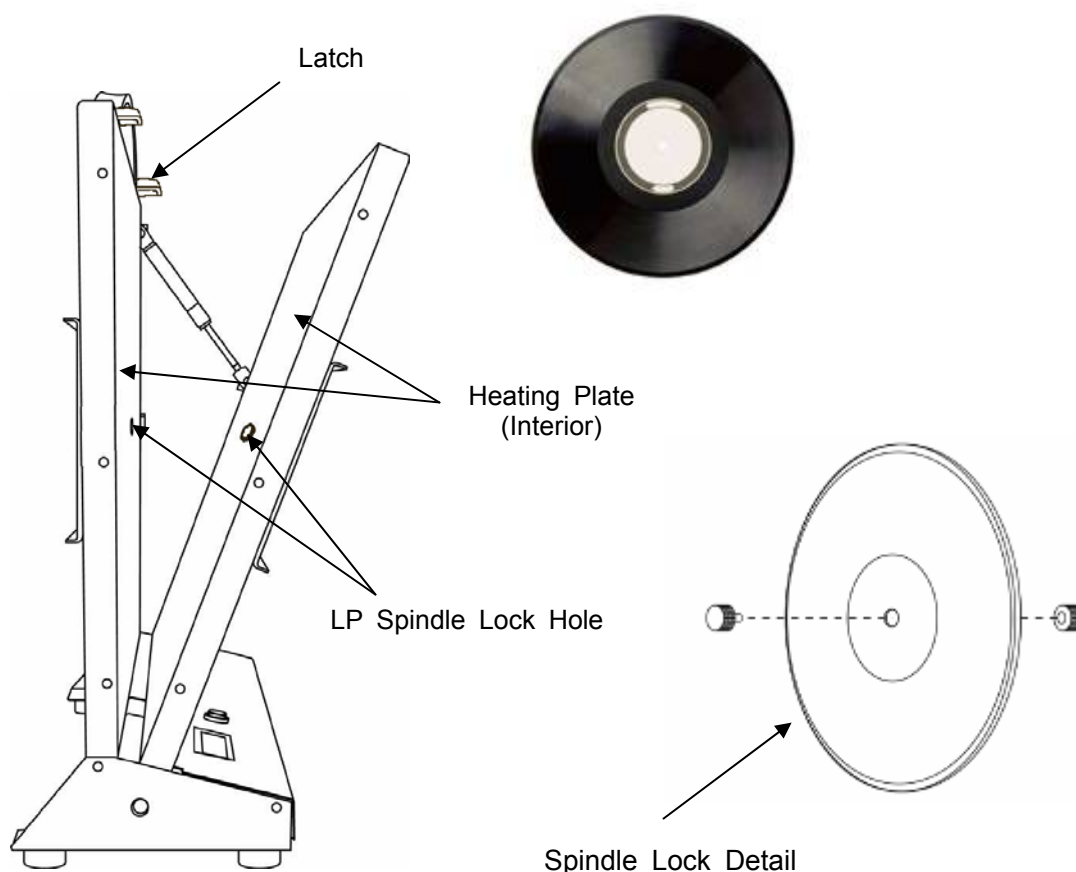
3. Caution

- ⚠ Do not dismantle or modify the DFV-1 which may cause the product to malfunction and render the manufacturer's warranty void.
- ⚠ It is not recommended that you treat your most valuable LP on the first try. On first use it is advisable to try the product with an LP of no value.
- ⚠ Furutech accepts no liability if the customer is for whatever reason not satisfied with the results produced by the DFV-1.
- ⚠ Handle with care: The DFV-1 is a relatively heavy component with somewhat fragile heating plates. Furutech does not accept any liability if the user is injured while using or moving the DFV-1.
- ⚠ When moving the DFV-1 the user should always close the heating plates and lock the side latches. Keep unit out of the reach of children.
- ⚠ LPs with raised label areas that are higher on the surface of the LP than the outer groove guard may be difficult to flatten.
- ⚠ The DFV-1 has been designed to flatten only those LPs or EPs that have a groove Guard. Furutech does not accept any liability for damages to LPs or EPs caused by the DFV-1.
- ⚠ Do not cover the DFV-1 to prevent heat escaping.

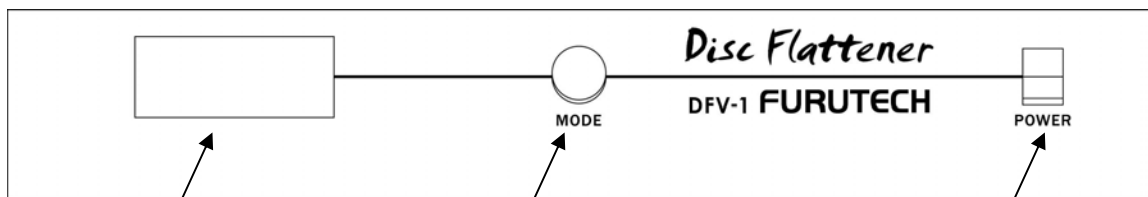
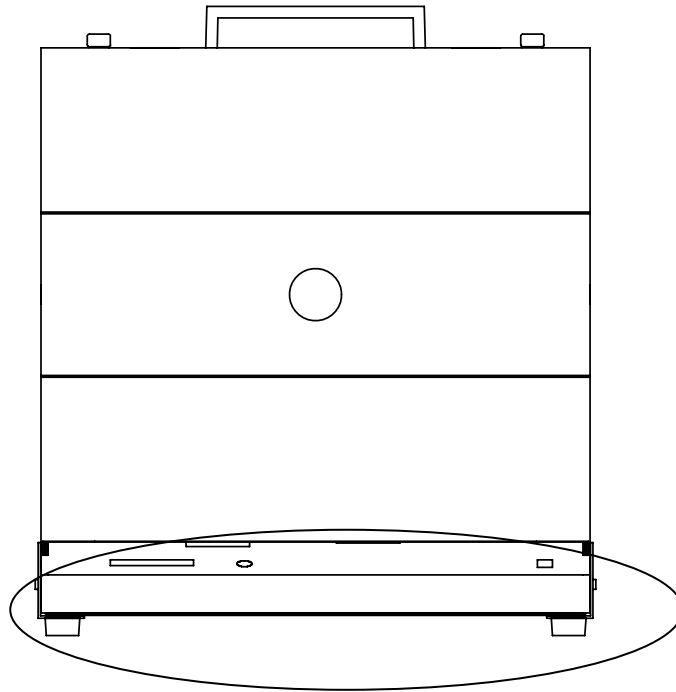
(♫). Do not attempt to flatten Sheffield Lab LPs without groove guards, some BMG-UFA LPs without them, or Classic Records 200gm non-groove-guard LPs.

4. Usage

1. Place the DFV-1 on a flat, stable surface and unlock the both latches.
2. Gently open the clamshell heating plates • The plates only open 25 degrees
3. Do not use excessive force.
4. Attach the spindle lock to the LP.
5. Carefully place the LP into the DFV-1 and click the spindle lock into its receptacle
6. Close the unit and lock the both latches.



7. Turn the power on by pressing the POWER button. The DFV-1 LCD display will light; after 5 seconds the MODE button is enabled.
8. Pressing the MODE button activates a 1.5 hours heating cycle followed by a 2 hour cooling cycle. The LCD display will show "HEATING" for 1.5 hours and then "COOLING" for 2 hours. Pressing the MODE button for a full 3 seconds during the heating process ends heating and begins the cooling process.
9. Once both cycles are completed a tone sounds and the display shows COMPLETION
10. To process another LP simply press the MODE button once again.
11. Notice: During the heating process you may notice the left side of the DFV-1 base emitting heat. This is normal and dose not affect the performance of the product.

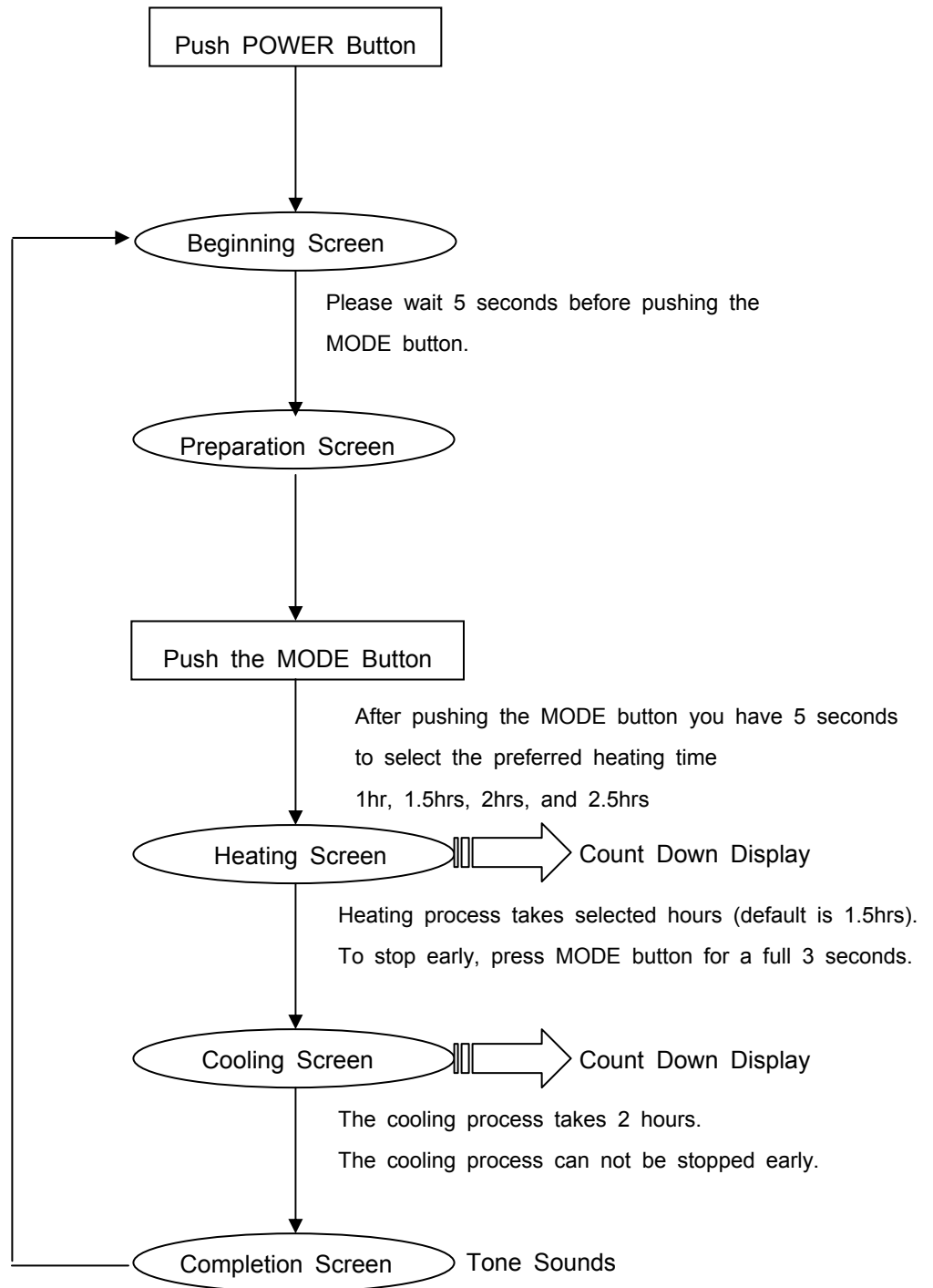


LCD Display

MODE Button

POWER Button

5. Flattening Procedure Map



The LP can now be gently removed from product.

Display screens

- **Beginning Screen**

Wait 5 seconds for the preparation screen



- **Preparation Screen**



Once the preparation screen is displayed, the MODE button can then be pushed and the MODE button red light up red showing the heating process has begun.

After pressing the MODE button you have 5 seconds to change the duration of the heating process by pressing the MODE button again: 1hr, 1.5hrs, 2hrs, and 2.5hrs

Recommended heating times for different room temperature are 1hr in more than 30°C, 1.5hrs in around 20°C, and more than 2hrs in less than 10°C.

- **Heating Screen**

MODE button red light up.



- **Cooling Screen**

MODE button slowly blink in red.



- **Completion Screen**

MODE button quickly blink in red.



6. DFV-1 Specifications

Rating 115V±10% AC Line 2A fuse
European model 230V±10% AC Line 2A fuse
Energy Consumption 140W (max) 45W (Norm)
Heating plate max. temp. 65°C
Size: 425mm/17" W x 507mm/20" H x 170mm/7" D • Weight: 9kg/20lbs approx.

Safe Usage Environment:

Temperature 5°C - 35°C

Humidity 20% - 90% (No condensation)

Manufactured for Furutech by ORB High End Systems of Japan

Furutech Co., Ltd.

3F, 7-11-1 Nishi-Gotanda, Shinagawa-ku, Tokyo 141-0031, Japan

Tel +81-3-5437-0281

Fax +81-3-5437-8470

Contact: service@furutech.com

www.furutech.com

FURUTECH
www.furutech.com
LIMITED WARRANTY

Serial No.

MODEL No. DFV-1 LP Flattener

This product is made of high quality material and great care has been taken in its manufacture. It is designed to give good performance provided it is properly operated and maintained. This product is sold subject to the understanding that if any defect in manufacture or material shall appear within 12 months from date of consumer sale, Furutech will arrange for such defect to be rectified without charge provided that: The defect is not due to use of the product for other than domestic purposes, or on an incorrect voltage, or contrary to operating instructions, or to accidental damage (whether in transit or otherwise), misuse, neglect or inexpert repair, or incorrect installation.

This guarantee card does not cover accessories belonging to the product.

No alteration of this guarantee card will be allowed.

For service enquires please call your local dealer or distributor.

Important notice: for free repair service please keep this guarantee card and the invoice in a safe place.

Serial No.

Please fill out and return to FURUTECH's local dealer

Model No :

Customer's Name :

Address :

Tel No. :

Date of purchase :

Store where purchased :

E-mail Address :