

# FURUTECH

[www.furutech.com](http://www.furutech.com)



## e-TP60/20

### **AC Power Distributor**

**New!** Furutech Axial Locking System  
G-762-18 Power Cord with 20A Rating  
GC-303 EMI-Absorbing Internal Coating  
All Metal Parts Treated with Furutech's  
Cryogenic and Demagnetizing *Alpha Process*

The e-TP60/20 is a sophisticated, luxuriously made power distributor that eliminates many common problems found with audio and video components caused by massively contaminated electrical power. The AC waveform becomes severely distorted by ground noise, voltage spikes and sags, high frequency power supply noise from other components in your own system, plus radiated high frequency digital noise from processors and digital interconnects. There are also distortion products at the top and bottom of the AC waveform created by switch-mode power supplies in electronic devices on the same circuit. Additionally, you're never alone; your residential AC mains supply is shared with other apartments, homes, and businesses on the same utility transformer. That's why many audio and video enthusiasts notice their systems are more enjoyable late at night or on weekends!

How can you tell you're a victim of polluted AC power? Listen and look for these symptoms: Flat, hard, grainy high frequencies, a thick and bloated midrange, fat, uncontrolled bass, and loss of air and soundstage stability. On video displays the picture resolution is less than sharp, with "ghosting", color shift, "snow", or vertical and horizontal lines. If this looks and sound familiar, you need Furutech!

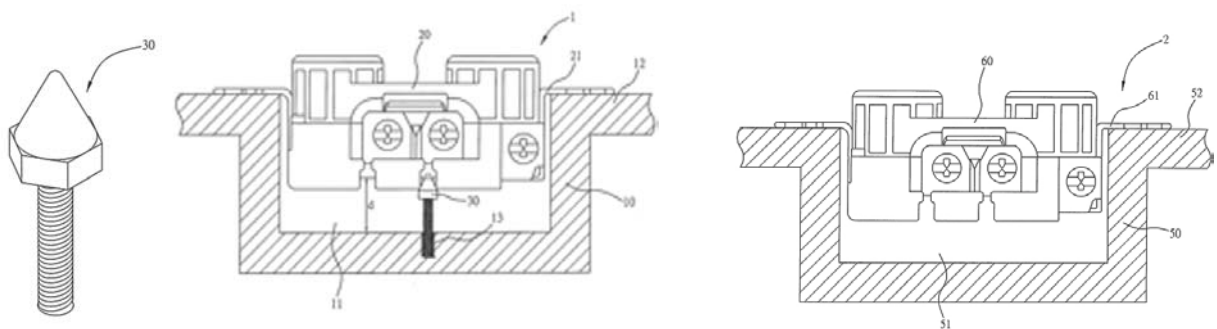
## Furutech's Total Attention to Detail and Build Quality

Many A/V enthusiasts go to great lengths to carefully set up major system components, but pay little attention to the source, the AC power. Furutech knows that each and every part of the chain is as important as the next, so maximum attention is lavished by Furutech on *all* aspects of AC power transfer.

The beautifully crafted special grade aluminum chassis effectively shields against another common problem, RFI (Radio Frequency Interference), and a layer of Formula GC-303 (see below) blocks EMI (Electro Magnetic Interference). Internal wiring is Furutech  $\alpha$ -22, 3.8 sq. mm (< 12 AWG) that guarantees low resistance. Furutech Hyper Quality FP-20A(G) Audio Grade Receptacles are "star-wired" to the IEC AC input of the e-TP60/20 - separate sets of conductors for each of the three duplex receptacles. They feature 24K gold-plated phosphor bronze, non-magnetic conductors for stable, long lasting, optimized power transfer.

## Furutech's Patent-Pending Axial Locking System

Furutech designed a special locking screw (see illustration below) that anchors each duplex receptacle that prevents oscillation and enhances long-term stability and pin contact area. Further, a special 3M material isolates the duplex outlets from resonance, Total attention to detail: Each Axial Lock is torqued to perfection to work with the 3M resonance control material, with 4 spikes provided to mount the entire unit.



Locking screw

Axial Locking System

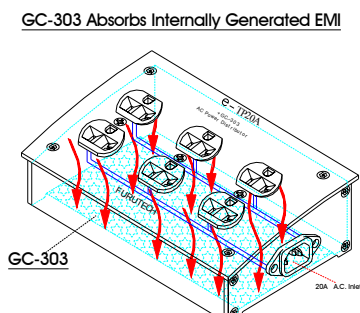
Non-Axial Locking System

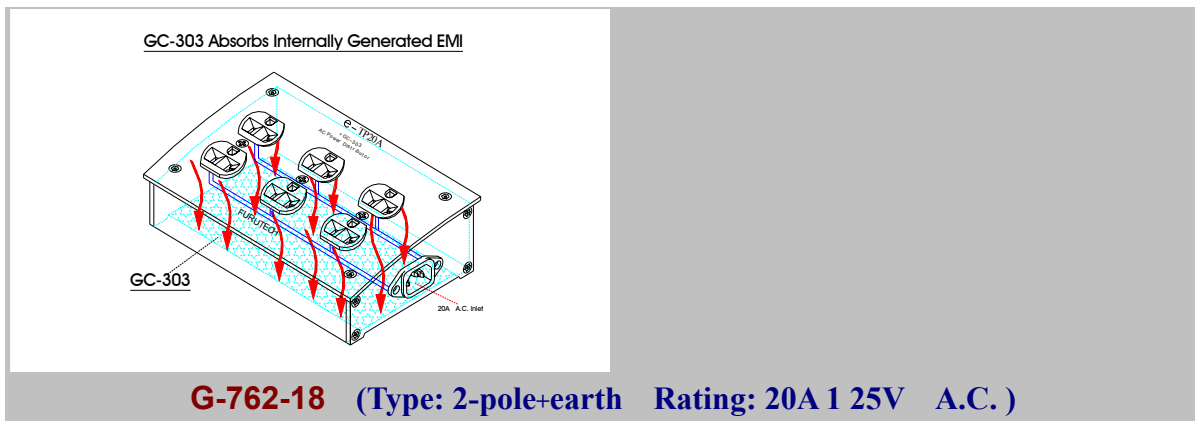
## Formula GC-303

GC-303 is a special material that Furutech layers and bonds to the interior bottom-plate of the chassis (see illustration below). It actually absorbs EMI (Electromagnetic Interference) generated by the *internal* fittings of the unit. The e-TP60/20 uses no other filtering besides GC-303 so AC resistance is kept to a minimum, allowing a more resolving, powerful, dynamic, and colorful performance from your components.

### □ The Features of **FORMULA GC-303**

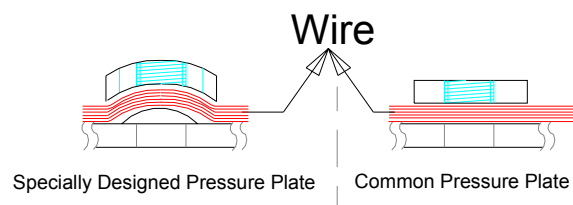
### □ G-762-18 Power Cord with 20A Hyper Audio Grade Fittings





### Features of the G-762-18 Power Cord

- Wire conductors and all metal parts are manufactured with Furutech's Cryogenic/Demagnetizing *Alpha Process* for minimal transmission losses.
- Furutech Hyper Quality Audio Grade fittings with 24K gold-plated non-magnetic phosphor bronze connectors.
- Power Cord shielded with *Alpha Processed* stranded-wire braid for superior noise isolation.
- Twin flexible PVC sheaths improve vibration isolation.
- $\mu$ -OFC Alpha Conductor internal wiring uses Polyethylene (PE) insulation to reduce capacitance.
- Hyper Audio Grade FI-31(G) IEC Connector and FI-31M(G) Power Connectors.
- Furutech's total attention to detail and build quality extends right down to a specially designed patent-pending pressure plate that increases the contact area between the Alpha Conductors and the prongs. (See below.)



### Power Cord Specifications

- Construction and Material of Cable
  - Conductors: 7 x 35 strands of 0.16 mm diameter Alpha Conductor
  - Insulation: Polyethylene (Red/Natural/Yellow) 5.2 mm diameter
  - Inner Sheath: Flexible PVC (Black) 12.0 mm diameter
  - Shield: 9 x 24 strands of 0.12mm stranded-braid Alpha Conductor
  - Sheath: Flexible PVC (Dark Blue) approx. 15.5 mm diameter.

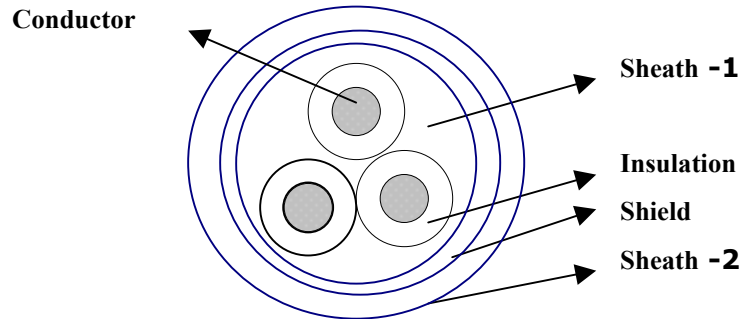
Electrical Properties of Cable

- \* Max. Conductor Resistance
- \* Min. Insulation Resistance
- \* Dielectric Strength

2.4 Ωkm  
2500 MΩkm  
AC 3000 V/1 min.

Test Method

JISC3005 6/20° C  
JISC3005 9.1/20° C  
JISC3005 8



*All metallic parts are treated with  
FURUTECH Alpha Cryogenic and Demagnetizing Treatment*

FURUTECH reserves the right to change product specifications without prior notice.

FURUTECH CO., LTD.  
[www.furutech.com](http://www.furutech.com)  
[service@Furutech.com](mailto:service@Furutech.com)

*Make A More Powerful Connection with Furutech!*