

# Furutech Earth (or Ground) Jumper Technology

Eliminates EMI (Electromagnetic Interference) Picked Up By Metal Parts Such As Securing Screws in the Connector

(US Patent No. 6,669,491)

## Floating Magnetic Field Effect

Current flowing through a connector creates a magnetic field that our engineers have found induces current flow (and thus a magnetic field) in the screws holding the connector together! These small magnetic fields, so close to the connector, interfere with the stability of the larger magnetic field around the current flowing through the conductor and connector.

Furutech's total attention to detail and elegant engineering neatly solves the problem. Our *Earth Jumper (Ground Jumper) System* connects the securing screws to a ground terminal within the plug, completely eliminating the field disturbance they cause. The stray fields are "dumped" to ground with a series of interlocking parts within the connector that attach to the earth (ground) conductor.

## Earth (Ground) Jumper Construction Details

Furutech Power, IEC, and SCHUKO Connectors

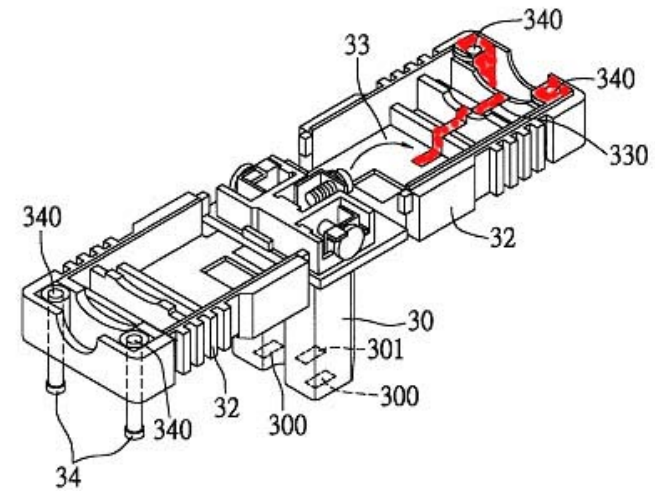
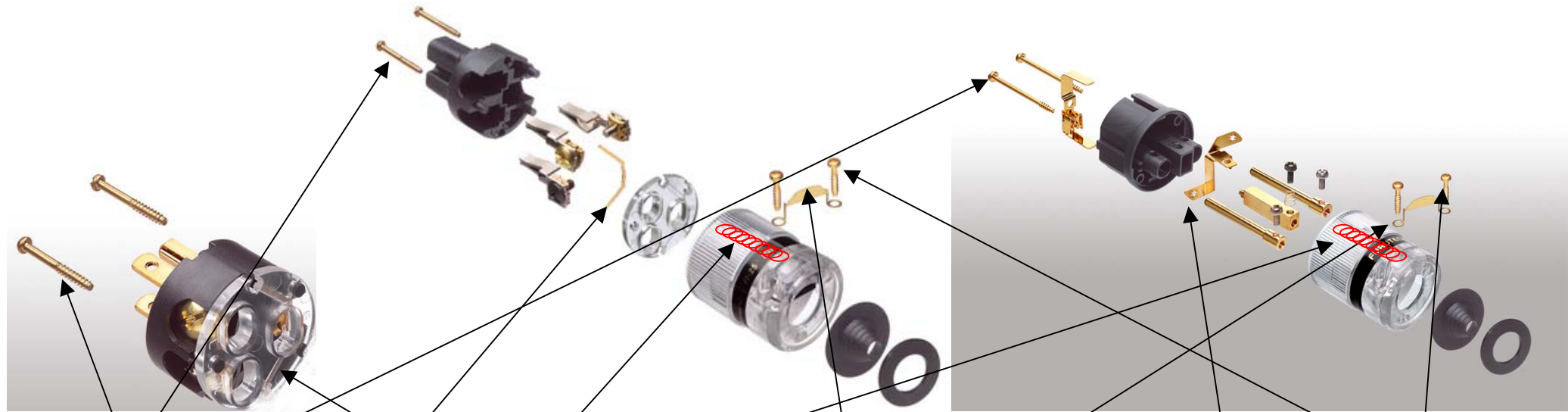


Figure 3. IEC Connector Earth (Ground) Jumper



Securing Screw (#3 fig.2) Connecting Bridge Spring in Screw Hole (#6 fig.2) Connecting Bridge (#4 fig.2) Connecting Bridge Securing Screw (#7 fig.2)  
 Earth Jumper Components

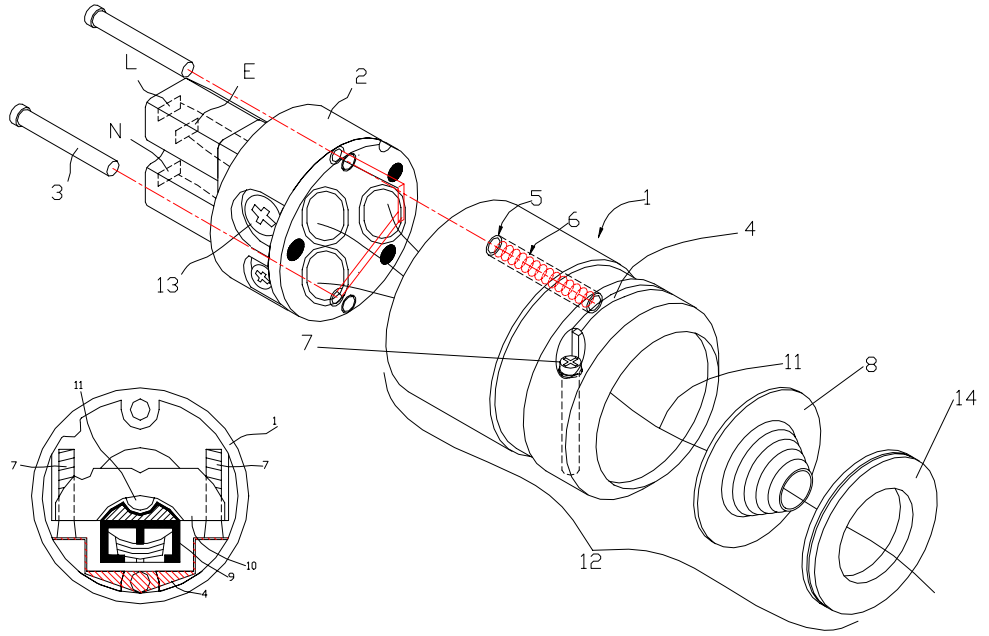


Figure 2. RED indicates Earth (Ground) Jumper Parts