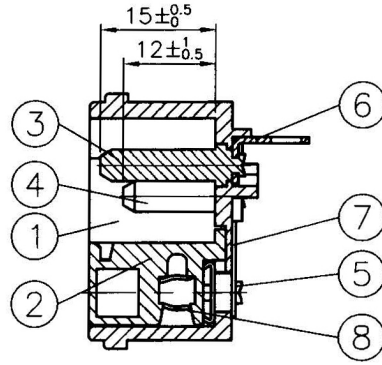
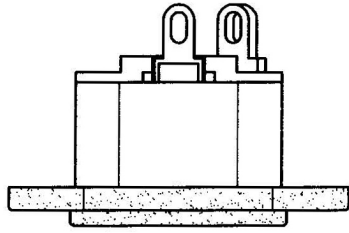


FURUTECH FI-03

Outside Size



A-A

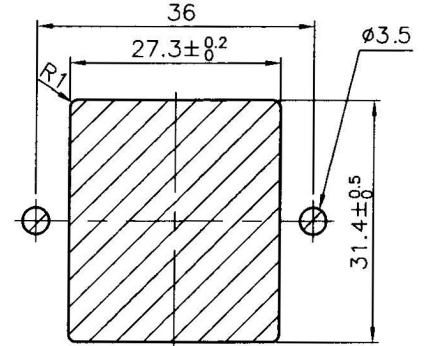
RATING: 10A250V $\bar{a}c$

APPROVED: UL,CSA,KTL

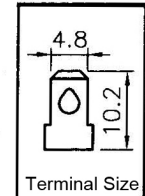
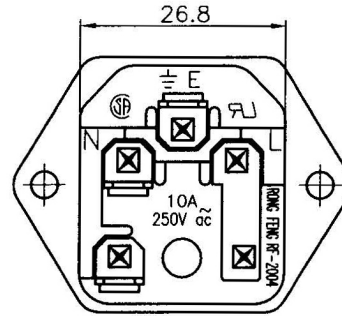
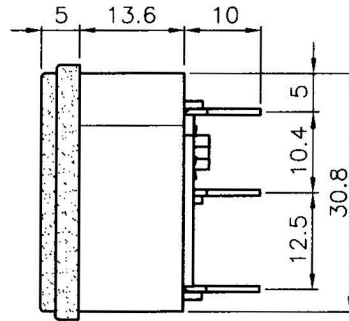
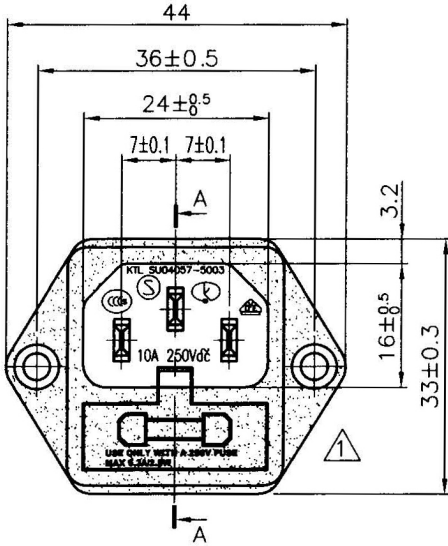
VDE,SEMKO,CCC

INSULATION RESISTANCE: 100M Ω 500Vdc min.

DIELECTRIC STRENGTH: 2000Vac/1ma 1min.



PANEL CUTOUT DIMENSION TABLE



Terminal Size

8	TERMINAL	2	BRASS t=0.5mm
7	TERMINAL	1	BRASS t=0.5mm
6	TERMINAL	3	BRASS t=0.8mm
5	TERMINAL	2	BRASS t=2.0mm
4	TERMINAL	2	BRASS t=2.0mm
3	TERMINAL	1	BRASS t=2.0mm
2	COVER	1	NYLON#66
1	CASE	1	NYLON#66
NO	PART NAME	Q'TY	MATERIAL